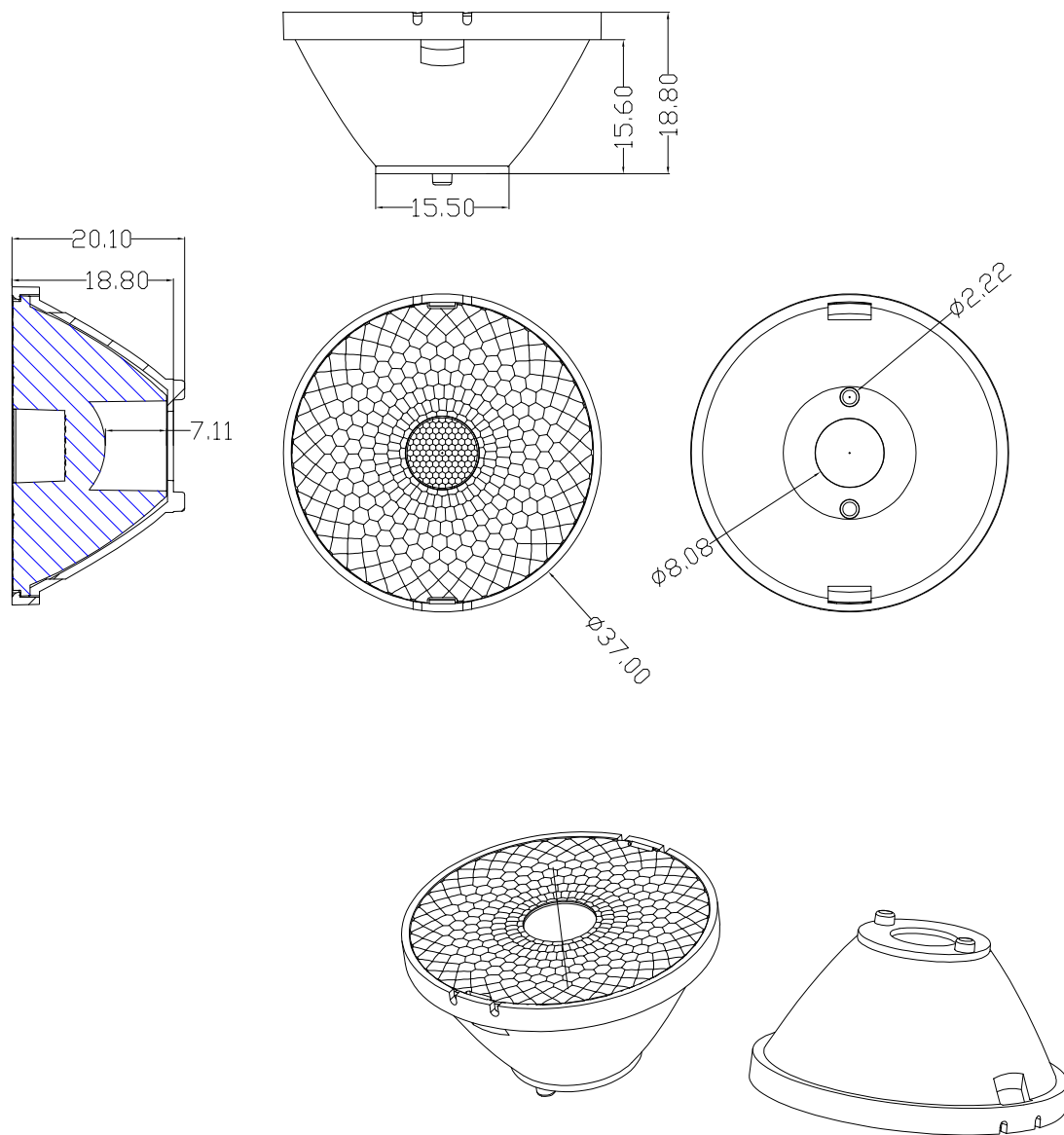


产品图 Product drawing

版本 REV	日期 DATE	变更内容 CHANGE (ITEM)
A0	2021-6-10	新建 NEW



技术要求:

1. 图中有序号尺寸需要重点控制;
2. 产品不得有缺胶、气泡、收缩、黑点等异常;
3. 未标注公差尺寸参考GB/T14486公差表

Technical requirements:

- 1.The size of the ordered number in the figure needs to be controlled;
- 2.The product shall not have lack of glue, bubbles, shrinkage, black spots and other abnormalities;
- 3.Dimensions with unmarked tolerances refer to GB/T14486 tolerance table.

产品名称 Item name	S01.01.02.055_ AMPERE-7	产品材质 Product material	PMMA
图法 View	 第三视角	设计 Designed	Yvan
比例 Scale	1:1	审核 Checked	Haiqiu
单位 Unit	MM	批核 Approved	

SUNLUMIN OPTICS CO.,LTD