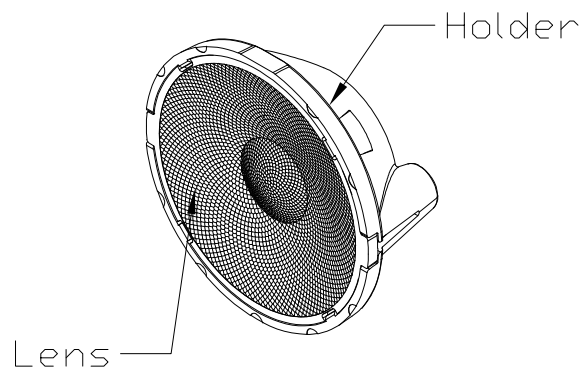
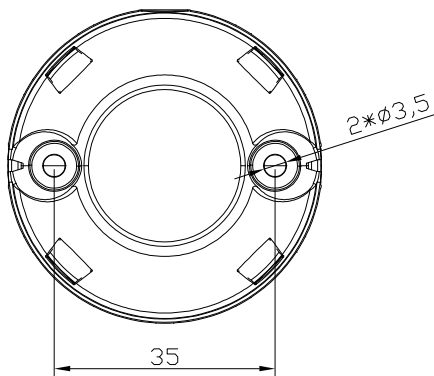
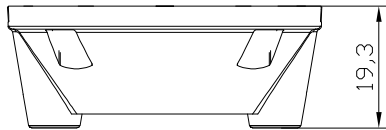
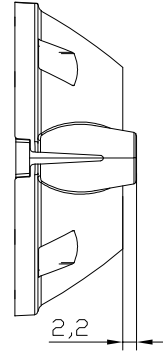
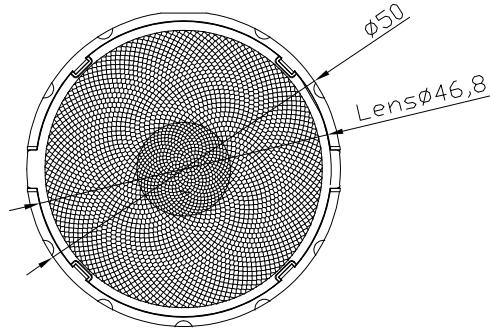


产品图 Product drawing

版本 REV	日期 DATE	变更内容 CHANGE (ITEM)
A0	2025-04-10	新建 NEW



技术要求:

1. 图中有序号尺寸需要重点控制;
2. 产品不得有缺胶、气泡、收缩、黑点等异常;
3. 未标注公差尺寸参考GB/T14486公差表

Technical requirements:

1. The size of the ordered number in the figure needs to be controlled;
2. The product shall not have lack of glue, bubbles, shrinkage, black spots and other abnormalities;
3. Dimensions with unmarked tolerances refer to GB/T14486 tolerance table.

产品名称 Item name	S09.01.01.164_ COMPTON-D50-36	产品材质 Product material	Lens: PMMA Holder: PC
图法 View	 第三视角	设计 Designed	Jun Jie
比例 Scale	1:1	审核 Checked	Brian
单位 Unit	MM	批核 Approved	JG Wu

SUNLUMIN OPTICS CO., LTD