

DATASHEET

S01.01.02.265_HERTZ -1-70

Architecture Lighting:

70° (extra wide) beam with holder.

Ø15.2 mm lens for up to 3535 size LED packages.

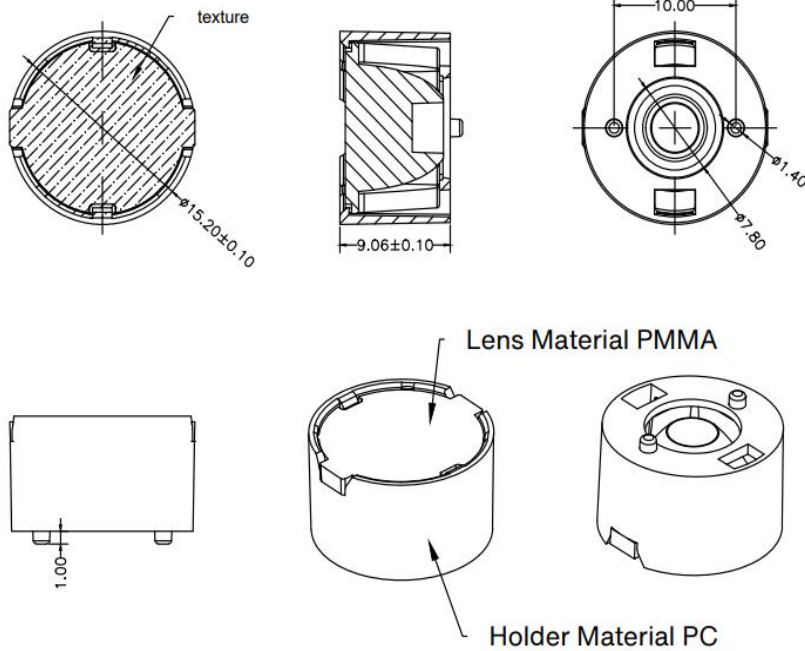
1.General Information

Lens Material	: PMMA
Size	: Ø15.2mm
typ.FWHM	: 70°
Design LED	: Cree XTE
Compatibility	: 3030/3535
typ.Efficiency	: 93%
Fasten	: Pin+Frame
IP class	: N/A
Zhaga	: N/A
RoHS	: YES
Color	: Clear



2.MECHANICAL SPECIFICATION

UNIT:mm



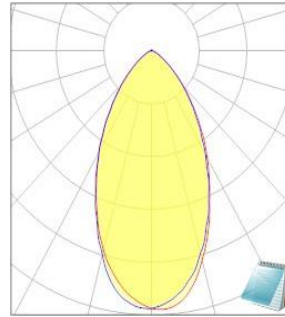
Dimensions with unmarked tolerances refer to GBT14486 tolerance table.

3. OPTICAL RESULTS

1) PHOTOMETRIC DATA(MEASURED):



LED model	XTE
Light colour	White
LEDs/each optic	1
FWHM	H56°,V56.6°
FWTH	H103.5°,V104.6°



Required components:

N/A

4.Usage and Maintenance

- 1) If necessary, clean lenses with mild soap, water and soft cloth.
- 2) Never use any commercial cleaning solvents on lenses, like alcohol.
- 3) Please handle lens with wearing gloves, skin oils may damage lens or its optical characteristic.

5.Note

Please test the data again before using. The chart data is for reference only.

The appearance and specifications of the product can be changed to improve the quality and/or performance without notice.