

DATASHEET

S01.01.02.290_EINSTEIN-20

Flood Lighting:

~20° narrow beam lens

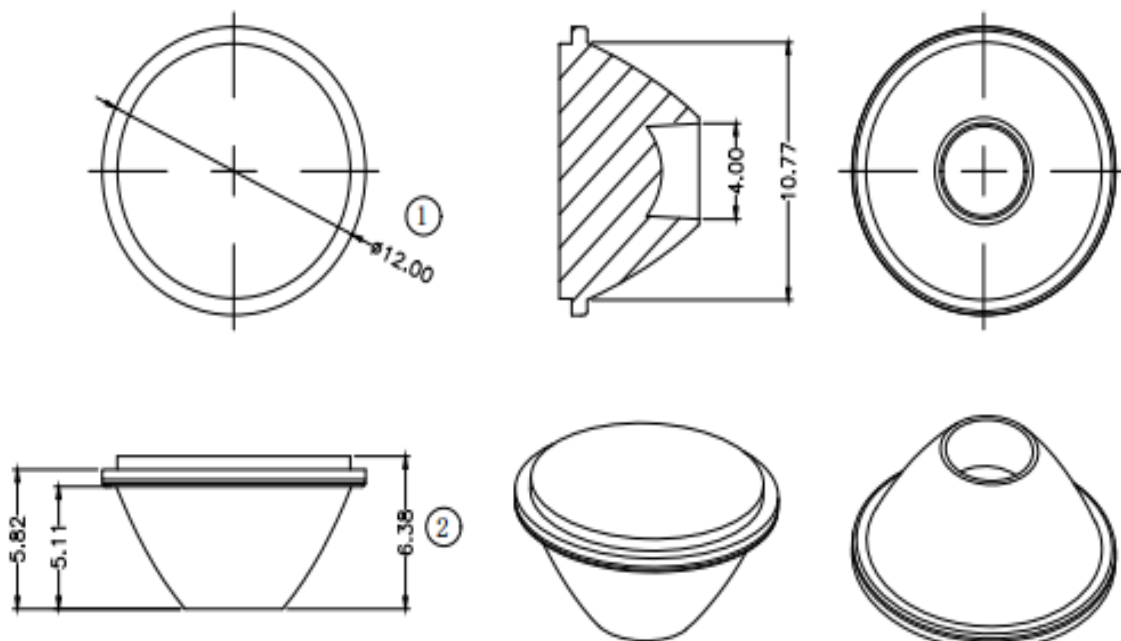
1.General Information

- ✓ Lens Material : Optical PMMA
- ✓ Size : Ø 12MM
- ✓ typ.FWHM : 20°
- ✓ Design LED : CREE XPE
- ✓ Compatibility : 3535/3030
- ✓ typ.Efficiency : 93%
- ✓ Fasten : /
- ✓ IP class : N/A
- ✓ Zhaga : N/A
- ✓ RoHS : YES
- ✓ Color : Clear



2.MECHANICAL SPECIFICATION

UNIT:mm



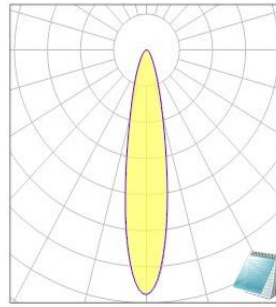
3. OPTICAL RESULTS

1) PHOTOMETRIC DATA(MEASURED):



LED model CREE XPE
Light colour White
LEDs/each optic 1
FWTM H49.9°,V49.9°
FWHM H21.2°,V21°

Required components:



4.Usage and Maintenance

- 1) If necessary, clean lenses with mild soap, water and soft cloth.
- 2) Never use any commercial cleaning solvents on lenses, like alcohol.
- 3) Please handle lens with wearing gloves, skin oils may damage lens or its optical characteristic.

5.Note

Please test the data again before using. The chart data is for reference only.