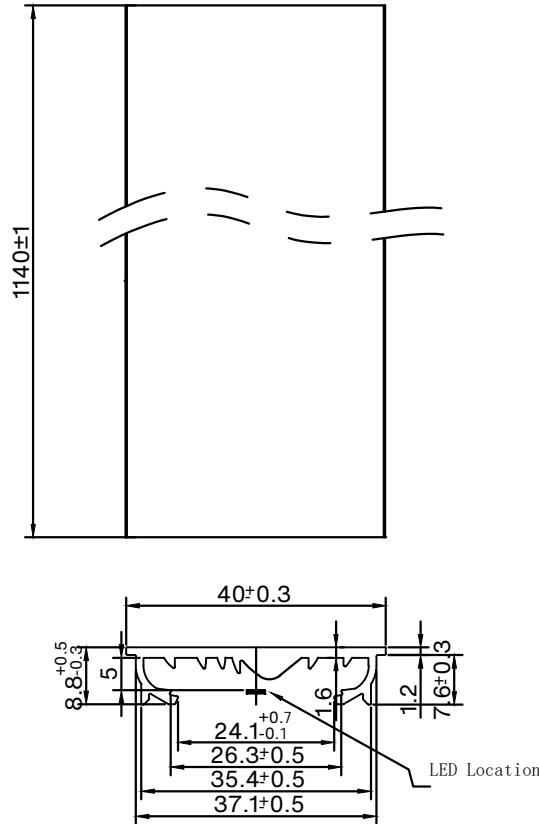


产品图 Product drawing

版本 REV	日期 DATE	变更内容 CHANGE (ITEM)
A0	2025-6-2	新建 NEW
A1	2026-5-29	补充公差




技术要求:

1. 图中有序号尺寸需要重点控制;
2. 产品不得有缺胶、气泡、收缩、黑点等异常;

Technical requirements:

- 1.The size of the ordered number in the figure needs to be controlled;
- 2.The product shall not have lack of glue, bubbles, shrinkage, black spots and other abnormalities;
- 3.Dimensions with unmarked tolerances refer to GBT14486 tolerance table.

SUNLUMIN OPTICS CO.,LTD

产品名称 Item name	S01.02.01.035_ OERSTED-40-A25-1140	产品材质 Product material	PMMA
图法 View	 第三视角	设计 Designed	Qiuhai
比例 Scale	1:1	审核 Checked	Eric
单位 Unit	MM	批核 Approved	Eric